

ECONOMICAL DRUM TRANSPORTER - DCR-880-H

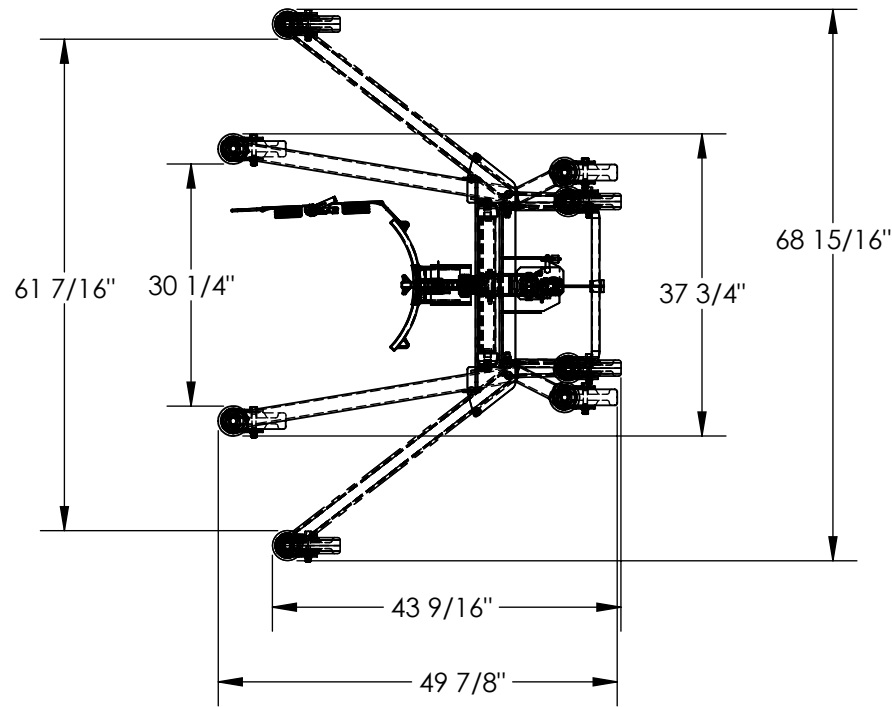
APPROX WEIGHT: 271.18 lbs.
DOES NOT INCLUDE WEIGHT OF POWER OR PACKAGING!!!

*** ANY ADDITIONS, DELETIONS, OR OMISSIONS MUST BE CORRECTED ON THIS DRAWING AS THIS DRAWING WILL BE CONSIDERED ALL INCLUSIVE ***

ALL GRAPHICS PROVIDED ARE FOR REFERENCE ONLY. IF CERTAIN DIMENSIONS ARE CRITICAL PLEASE VERIFY THOSE DIMENSIONS WITH YOUR SALESPERSON

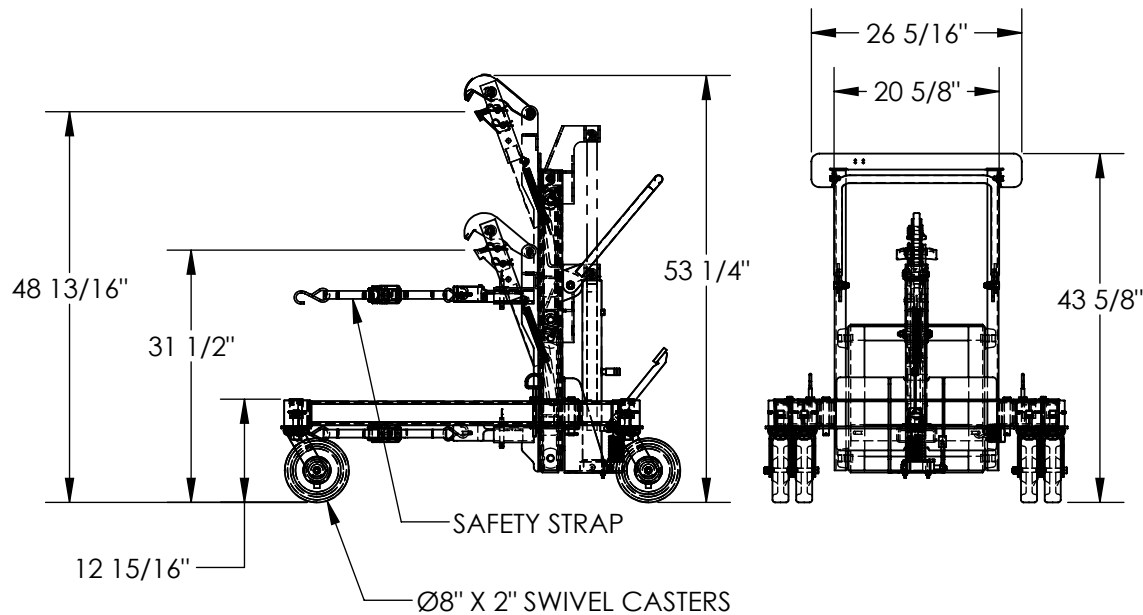
STANDARD FEATURES

MODEL NUMBER: DCR-880-H
CAPACITY: 1500 LBS.
FRAME HEIGHT: 43 5/8"
OVERALL RAISED HEIGHT: 53 1/4"
MAX OVERALL LENGTH: 49 7/8"
MIN OVERALL LENGTH: 43 9/16"
MAX OVERALL WIDTH: 68 15/16"
MIN OVERALL WIDTH: 37 3/4"
MAX INSIDE WIDTH: 61 7/16"
MIN INSIDE WIDTH: 30 1/4"
RAISED JAW HEIGHT: 48 13/16"
LOWERED JAW HEIGHT: 31 1/2"
FOOT PUMP OPERATION
(4) Ø8" x 2" SWIVEL CASTERS
INCLUDES SAFETY STRAP
TOUGH BAKED IN POWDER COATED YELLOW FINISH



SPECIAL FEATURES

NONE



DIMENSION TOLERANCE ± 1/4"

APPROVAL

I, THE UNDERSIGNED, AGREE THAT THE PRODUCT AS REPRESENTED SATISFIES DESIGN AND DIMENSION REQUIREMENTS. I ALSO ACKNOWLEDGE MY DUTY TO CONFIRM PRODUCT AND INSTALLATION COMPLIANCE WITH ALL APPLICABLE FEDERAL, STATE AND LOCAL REGULATIONS AND STANDARDS.
UNITS REQUIRING APPROVAL DRAWINGS OR MODIFIED ARE NON-RETURNABLE

As drawn As marked

Signed: _____ Date: _____

Printed Name: _____

LEAD TIME WILL START UPON RECEIPT OF SIGNED APPROVAL DRAWING

| | | |
|----------------------|------------------|------------|
| DISTRIBUTOR'S NAME: | | P.O.# |
| VESTIL MANUFACTURING | | X |
| DRAWN BY: MAS | DATE: 06/23/2021 | W.O.# |
| REFERENCE: X | SCALE: 1:24 | X |
| QUOTED LEAD TIME: X | QUOTE # | FILE NAME: |
| | X | 40-007-021 |